

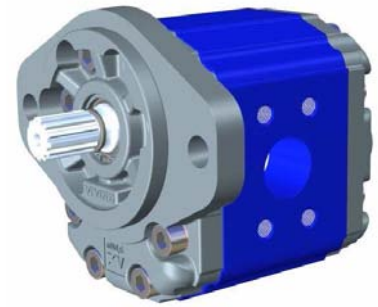
unidirectional pump - series XV

XV-3P

SAE B TYPE PUMP
ø101.6 FLANGE - SPLINED SHAFT

X 3 P 78 32 I O O A

Series	X	series XV
Group	3	group 3
Category	P	unidirectional pump
Displacement	78	38
Flange	32	ø101.6 SAE B right rotation
Shaft	I	SCF04 - Splined ø21.81 z=13, H=33.55 SAE J498-13T -16/32DP (SAE B)
Body	IN	inlet - SAE 30,18 X 58,72 - ø32 - 7/16-14UNC-2B
	OUT	outlet - SAE 30,18 X 58,72 - ø32 - 7/16-14UNC-2B
Cover	A	standard



XP332

Technical data table

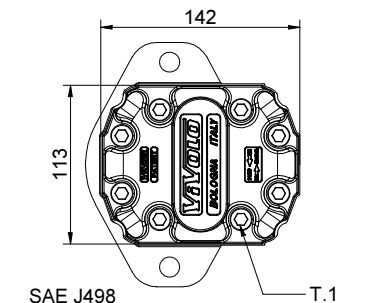
TYPE	Displacement cm3/rev	Max. Pressure		CODE	
		P1 bar	P3 bar	Left rotation	Right rotation
XV-3P/15	14,89	300	320	X 3 P 66 31 I N N A	X 3 P 66 32 I N N A
XV-3P/18	17,37	300	320	X 3 P 68 31 I N N A	X 3 P 68 32 I N N A
XV-3P/21	21,10	280	300	X 3 P 70 31 I N N A	X 3 P 70 32 I N N A
XV-3P/27	26,97	250	270	X 3 P 72 31 I N N A	X 3 P 72 32 I N N A
XV-3P/32	32,27	250	270	X 3 P 74 31 I O O A	X 3 P 74 32 I O O A
XV-3P/38	38,47	250	270	X 3 P 78 31 I O O A	X 3 P 78 32 I O O A
XV-3P/43	43,44	250	270	X 3 P 79 31 I O O A	X 3 P 79 32 I O O A
XV-3P/47	47,16	230	250	X 3 P 80 31 I O O A	X 3 P 80 32 I O O A
XV-3P/51	50,88	230	250	X 3 P 81 31 I O O A	X 3 P 81 32 I O O A
XV-3P/54	54,60	230	250	X 3 P 82 31 I O O A	X 3 P 82 32 I O O A
XV-3P/61	60,81	230	250	X 3 P 83 31 I P P A	X 3 P 83 32 I P P A
XV-3P/64	64,53	210	230	X 3 P 85 31 I P P A	X 3 P 85 32 I P P A
XV-3P/70	70,74	200	220	X 3 P 86 31 I P P A	X 3 P 86 32 I P P A
XV-3P/74	74,46	180	200	X 3 P 87 31 I P P A	X 3 P 87 32 I P P A
XV-3P/90	86,87	150	170	X 3 P 89 31 I P P A	X 3 P 89 32 I P P A

P1) Max. working pressure - P3) Max. peak pressure

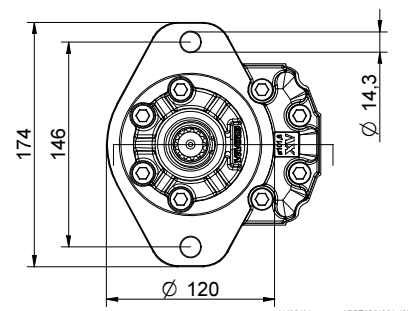
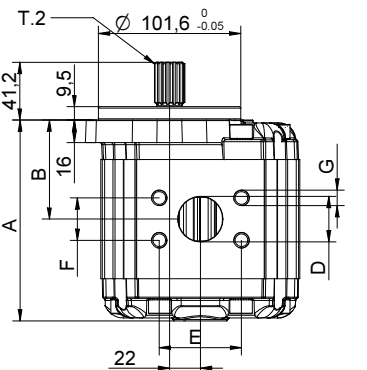
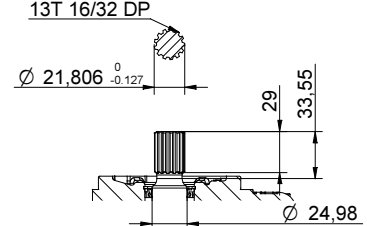
For heavy-duty applications, it is recommended to check the admissible torque of the shaft

Dimensions table

TYPE	Weight kg	A	B	D	E	F	G
		mm	mm	IN - OUT			
XV-3P/15	7,010	124,0	61,0	ø25	52,37	26,19	3/8-16UNC-2B
XV-3P/18	7,070	126,0	62,0	ø25	52,37	26,19	3/8-16UNC-2B
XV-3P/21	7,150	129,0	63,5	ø25	52,37	26,19	3/8-16UNC-2B
XV-3P/27	7,250	133,0	65,5	ø25	52,37	26,19	3/8-16UNC-2B
XV-3P/32	7,390	138,0	68,0	ø32	58,72	30,18	7/16-14UNC-2B
XV-3P/38	7,520	143,0	70,5	ø32	58,72	30,18	7/16-14UNC-2B
XV-3P/43	7,630	147,0	72,5	ø32	58,72	30,18	7/16-14UNC-2B
XV-3P/47	7,710	150,0	74,0	ø32	58,72	30,18	7/16-14UNC-2B
XV-3P/51	7,790	153,0	75,5	ø32	58,72	30,18	7/16-14UNC-2B
XV-3P/54	7,870	156,0	77,0	ø32	58,72	30,18	7/16-14UNC-2B
XV-3P/61	8,010	161,0	79,5	ø38	69,85	35,71	1/2-13UNC-2B
XV-3P/64	8,090	164,0	81,0	ø38	69,85	35,71	1/2-13UNC-2B
XV-3P/70	8,220	169,0	83,5	ø38	69,85	35,71	1/2-13UNC-2B
XV-3P/74	8,300	172,0	85,0	ø38	69,85	35,71	1/2-13UNC-2B
XV-3P/90	8,570	182,0	90,0	ø38	69,85	35,71	1/2-13UNC-2B



SAE J498
13T 16/32 DP



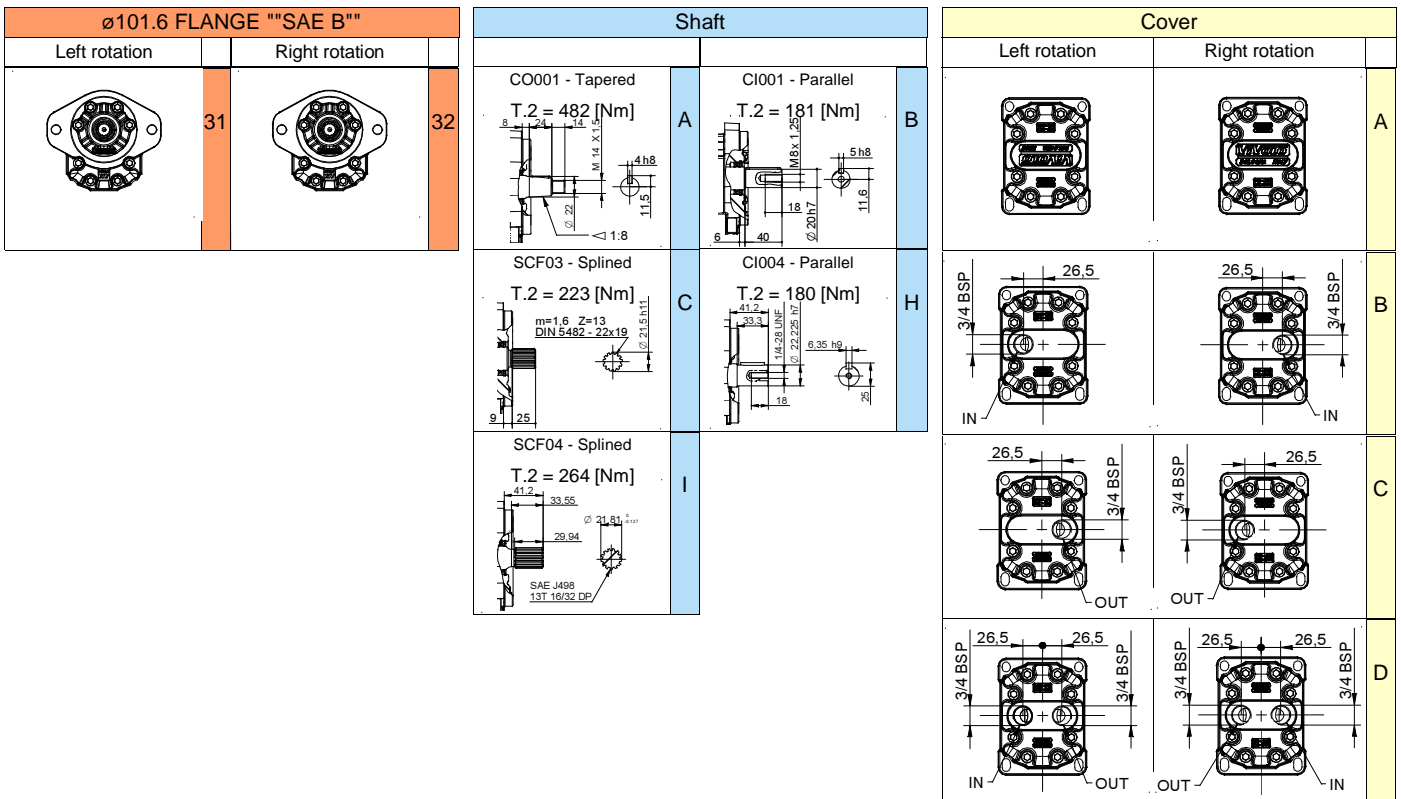
T.1 = 60÷65 [Nm] - screw tightening torque M10

T.2 = 264 [Nm] - admissible shaft torque (N.B. When choosing a shaft, always check the admissible torque).

Table of variations

XV-3P

ø101.6 FLANGE ""SAE B""



Displacement	
TYPE	CODE
XV-3P/15	66
XV-3P/18	68
XV-3P/21	70
XV-3P/27	72
XV-3P/32	74
XV-3P/38	78
XV-3P/43	79
XV-3P/47	80
XV-3P/51	81
XV-3P/54	82
XV-3P/61	83
XV-3P/64	85
XV-3P/70	86
XV-3P/74	87
XV-3P/90	89

Standard bodies				
Displacement cm3/rev	Standard threads			
	15	A - A	D - D	H - H
18	A - A	D - D	H - H	
21	A - A	D - D	H - H	
27	A - A	E - E	H - H	
32	B - B	E - E	H - H	
38	B - B	E - E	H - H	
43	B - B	E - E	H - H	
47	B - B	E - E	H - H	
51	B - B	E - E	H - H	
54	B - B	E - E	H - H	
61	C - C	F - F		
64	C - C	F - F		
70	C - C	F - F		
74	C - C	F - F		
90	C - C	F - F		

Table showing standard flange and thread combinations available in stock

